

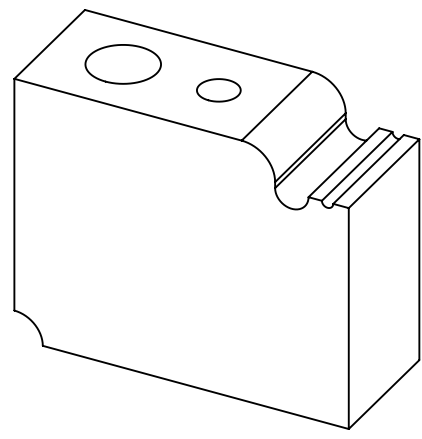
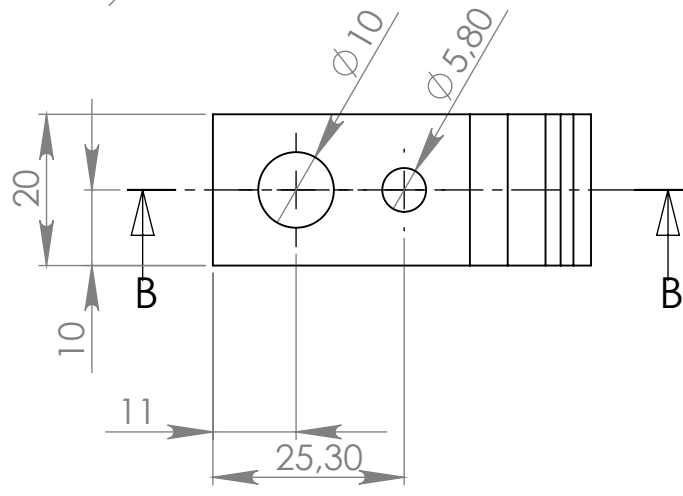
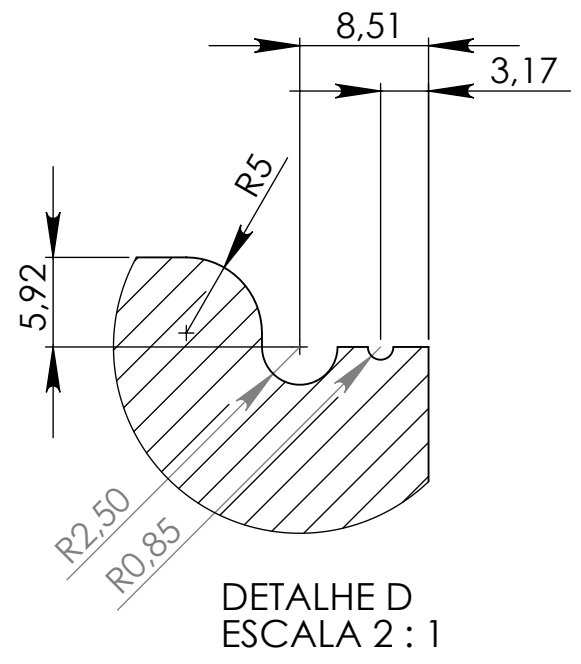
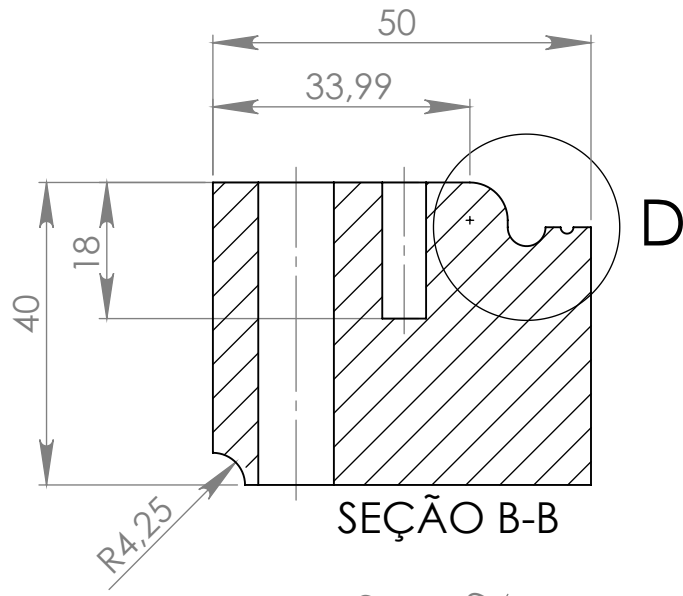
A

B

C

D

E



UNLESS OTHERWISE SPECIFIED: DIMENSIONS ARE IN MILLIMETERS SURFACE FINISH: TOLERANCES: LINEAR: ANGULAR:				FINISH:		DEBUR AND BREAK SHARP EDGES		DO NOT SCALE DRAWING		REVISION	
DRAWN				SIGNATURE		DATE		TITLE:			
CHKD											
APPV'D											
MFG											
Q.A						MATERIAL:		DWG NO.		A4	
								SCALE: 1:1		SHEET 1 OF 1	

Bloco X